

SPECTRA 5500 CENTRAL
10 Zones Wiring
5 Zone Slots

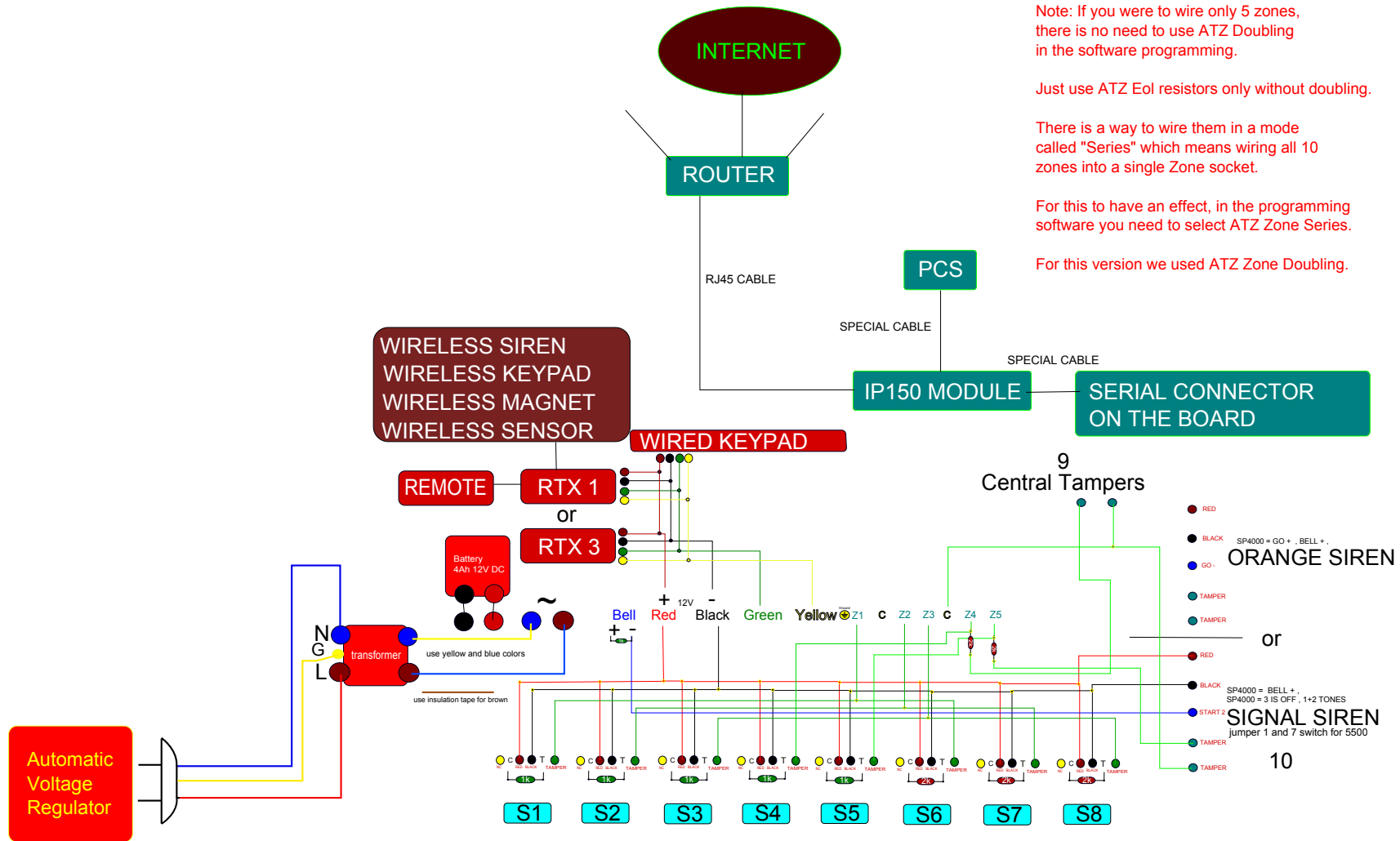
Note: If you were to wire only 5 zones, there is no need to use ATZ Doubling in the software programming.

Just use ATZ Eol resistors only without doubling.

There is a way to wire them in a mode called "Series" which means wiring all 10 zones into a single Zone socket.

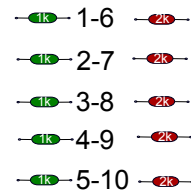
For this to have an effect, in the programming software you need to select ATZ Zone Series.

For this version we used ATZ Zone Doubling.



- ZONE 1
- ZONE 2
- ZONE 3
- ZONE 4
- ZONE 5

WIRING ORDER



● ALL NC WIRED ON C

● TAMPER CONNECTION

● BLACK CONNECTION

● RED CONNECTION

ONLY DOTS COUNT AS CONNECTIONS

ORANGE SIREN

SIGNAL SIREN
jumper 1 and 7 switch for 5500

10